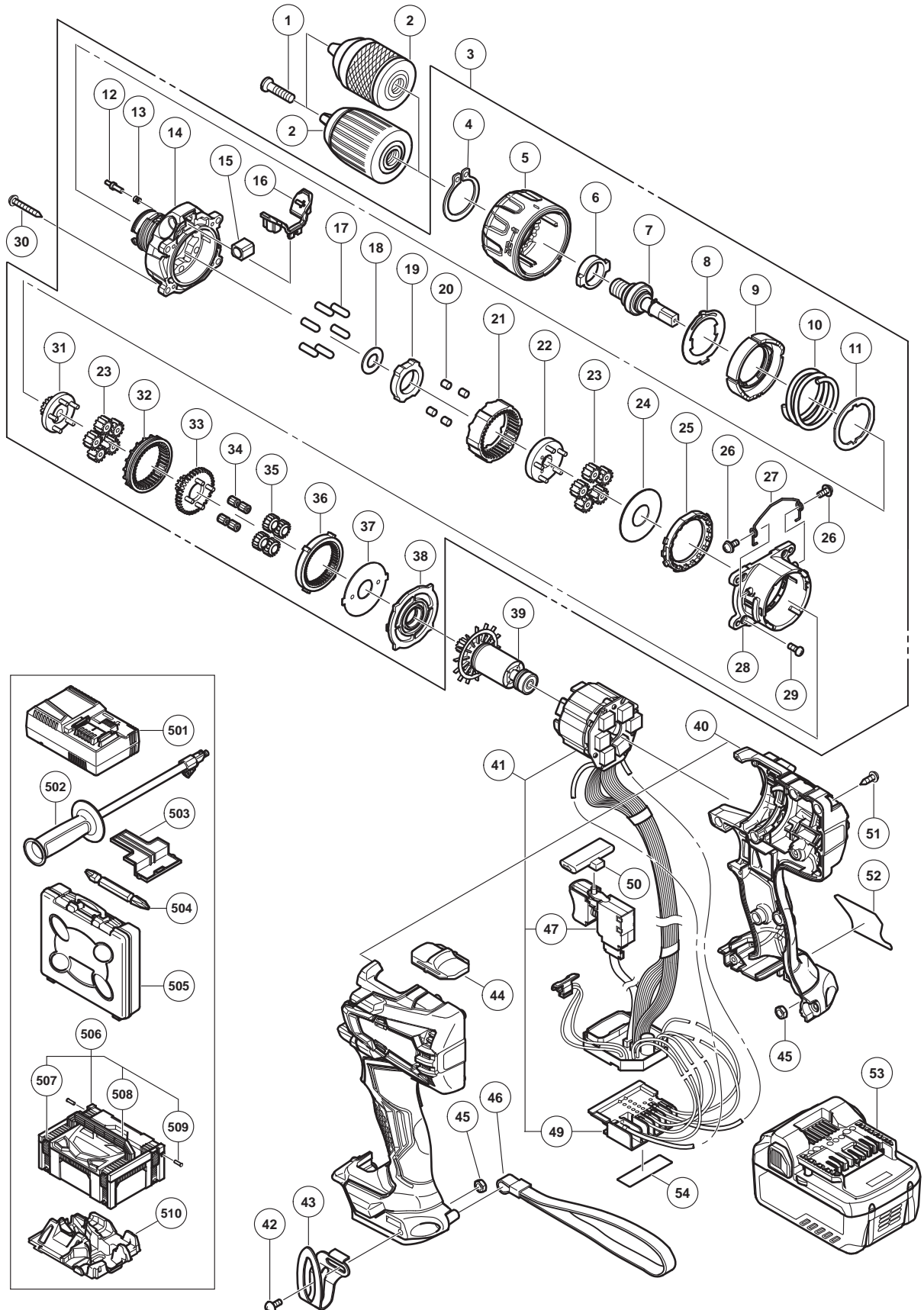


## ELECTRIC TOOL PARTS LIST

### CORDLESS DRIVER DRILL Model DS 36DA

2017-12-28  
(E1)



**PARTS**

DS 36DA

| ITEM NO. | CODE NO. | DESCRIPTION                                 | NO. USED | REMARKS                |
|----------|----------|---|----------|------------------------|
| 1        | 370909   | SEAL LOCK FLAT HD.SCREW (LEFT HAND) M6 X 25 | 1        |                        |
| * 2      | 339721   | DRILL CHUCK 13VLRX-N                        | 1        |                        |
| * 2      | 339723   | DRILL CHUCK 13VLRX-N (W/O CHUCK WRENCH)     | 1        | FOR EUROPE,RUS,AUS,NZL |
| * 2      | 339724   | DRILL CHUCK 13VLRX-N (W/O CHUCK WRENCH)     | 1        | FOR USA,CAN            |
| 3        | 372222   | GEAR BOX ASS'Y                              | 1        | INCLUD.4-29,31-38      |
| 4        | 339736   | RETAINING RING FOR D30 SHAFT                | 1        |                        |
| 5        | 339740   | CLUTCH DIAL                                 | 1        |                        |
| 6        | 339741   | METAL                                       | 1        |                        |
| 7        | 339743   | SPINDLE                                     | 1        |                        |
| 8        | 339744   | CLICK SPRING                                | 1        |                        |
| 9        | 339745   | NUT   | 1        |                        |
| 10       | 339746   | SPRING                                      | 1        |                        |
| 11       | 339747   | THRUST PLATE                                | 1        |                        |
| 12       | 339748   | STOPPER                                     | 2        |                        |
| 13       | 331886   | STOPPER SPRING                              | 2        |                        |
| 14       | 372224   | FRONT CASE                                  | 1        |                        |
| 15       | 371796   | SLEEVE NUT M8                               | 1        |                        |
| 16       | 371795   | SLEEVE CAP                                  | 1        |                        |
| 17       | 333539   | PIN SET (6 PCS.)                            | 6        |                        |
| 18       | 328717   | WASHER (B)                                  | 1        |                        |
| 19       | 339752   | LOCK RING                                   | 1        |                        |
| 20       | 319744   | ROLLER                                      | 4        |                        |
| 21       | 339753   | RING GEAR                                   | 1        |                        |
| 22       | 339754   | CARRIER                                     | 1        |                        |
| 23       | 339774   | PLANET GEAR (B) SET (5 PCS.)                | 10       |                        |
| 24       | 331892   | WASHER (A)                                  | 1        |                        |
| 25       | 372226   | SHIFT DOG                                   | 1        |                        |
| 26       | 331895   | SCREW SET D2 (2 PCS.)                       | 2        |                        |
| 27       | 339755   | SHIFT ARM                                   | 1        |                        |
| 28       | 372225   | REAR CASE                                   | 1        |                        |
| 29       | 320087   | SCREW SET M3 X 12 (4 PCS.)                  | 4        |                        |
| 30       | 305490   | TAPPING SCREW (W/FLANGE) D4 X 30 (BLACK)    | 4        |                        |
| 31       | 339757   | PINION (C)                                  | 1        |                        |
| 32       | 339758   | SLIDE RING GEAR                             | 1        |                        |
| 33       | 339759   | PINION (B)                                  | 1        |                        |
| 34       | 331926   | NEEDLE BEARING SET (4 PCS.)                 | 4        |                        |
| 35       | 334441   | PLANET GEAR (A) SET (4 PCS.)                | 4        |                        |
| 36       | 339760   | FIRST RING GEAR                             | 1        |                        |
| 37       | 339761   | WASHER (B)                                  | 1        |                        |
| 38       | 339762   | MOTOR SPACER                                | 1        |                        |
| 39       | 361070   | ROTOR PINION SET                            | 1        |                        |
| 40       | 373160   | HOUSING (A).(B) SET                         | 1        |                        |
| 41       | 373161   | WIRING ASS'Y                                | 1        | INCLUD.47,49           |
| 42       | 327001   | TRUSS HD. SCREW M4 (BLACK)                  | 1        |                        |
| 43       | 372229   | HOOK  | 1        |                        |
| 44       | 334267   | SHIFT KNOB                                  | 1        |                        |
| 45       | 327002   | LOCK NUT M4 (BLACK)                         | 2        |                        |
| * 46     | 306952   | STRAP (BLACK)                               | 1        | EXCEPT FOR USA,CAN     |
| 47       | 370151   | DC-SPEED CONTROL SWITCH                     | 1        |                        |
| 49       | 372228   | BATTERY TERMINAL                            | 1        |                        |

**PARTS**

DS 36DA

| ITEM NO. | CODE NO. | DESCRIPTION                              | NO. USED | REMARKS     |
|----------|----------|--|----------|-------------|
| 50       | 339768   | PUSHING BUTTON                           | 1        |             |
| 51       | 313687   | TAPPING SCREW (W/FLANGE) D3 X 16 (BLACK) | 10       |             |
| 52       |          | NAME PLATE                               | 1        |             |
| * 53     | 371750   | BATTERY BSL 36A18 (EUROPE,AUS,NZL)       | 2        | INCLUD.503  |
| * 53     | 372118   | BATTERY BSL 36A18 (THA)                  | 2        | INCLUD.503  |
| * 53     | 372121   | BATTERY BSL 36B18 (USA,CAN)              | 2        | INCLUD.503  |
| * 54     | 373221   | CAUTION PLATE                            | 1        | FOR USA,CAN |
|          |          |  |          |             |
|          |          |  |          |             |
|          |          |  |          |             |
|          |          |  |          |             |
|          |          |  |          |             |
|          |          |  |          |             |
|          |          |  |          |             |
|          |          |  |          |             |

**STANDARD ACCESSORIES**

| ITEM NO. | CODE NO. | DESCRIPTION               | NO. USED | REMARKS        |
|----------|----------|---------------------------|----------|----------------|
| 501      |          | CHARGER (MODEL UC 18YSL3) | 1        |                |
| 502      | 371797   | SIDE HANDLE               | 1        |                |
| 503      | 329897   | BATTERY COVER             | 1        |                |
| 504      | 983006   | + DRIVER BIT NO.2 65L     | 1        |                |
| * 505    | 339778   | CASE                      | 1        |                |
| * 506    | 336471   | CASE ASS'Y (STACKABLE 2)  | 1        | INCLUD.507-509 |
| * 507    | 336472   | LATCH                     | 4        |                |
| * 508    | 336473   | HANDLE                    | 1        |                |
| * 509    | 336474   | HINGE                     | 2        |                |
| * 510    | 339776   | INNER TRAY                | 1        |                |
|          |          |                           |          |                |
|          |          |                           |          |                |
|          |          |                           |          |                |
|          |          |                           |          |                |
|          |          |                           |          |                |

**OPTIONAL ACCESSORIES**

| ITEM NO. | CODE NO. | DESCRIPTION  | NO. USED | REMARKS     |
|----------|----------|--------------|----------|-------------|
| * 601    | 303709   | DEPTH GAUGE  | 1        |             |
| * 601    | 310331   | DEPTH GAUGE  | 1        | FOR USA,CAN |
| 602      | 370651   | SCREW SET M4 | 1        |             |
|          |          |              |          |             |
|          |          |              |          |             |
|          |          |              |          |             |
|          |          |              |          |             |
|          |          |              |          |             |
|          |          |              |          |             |