

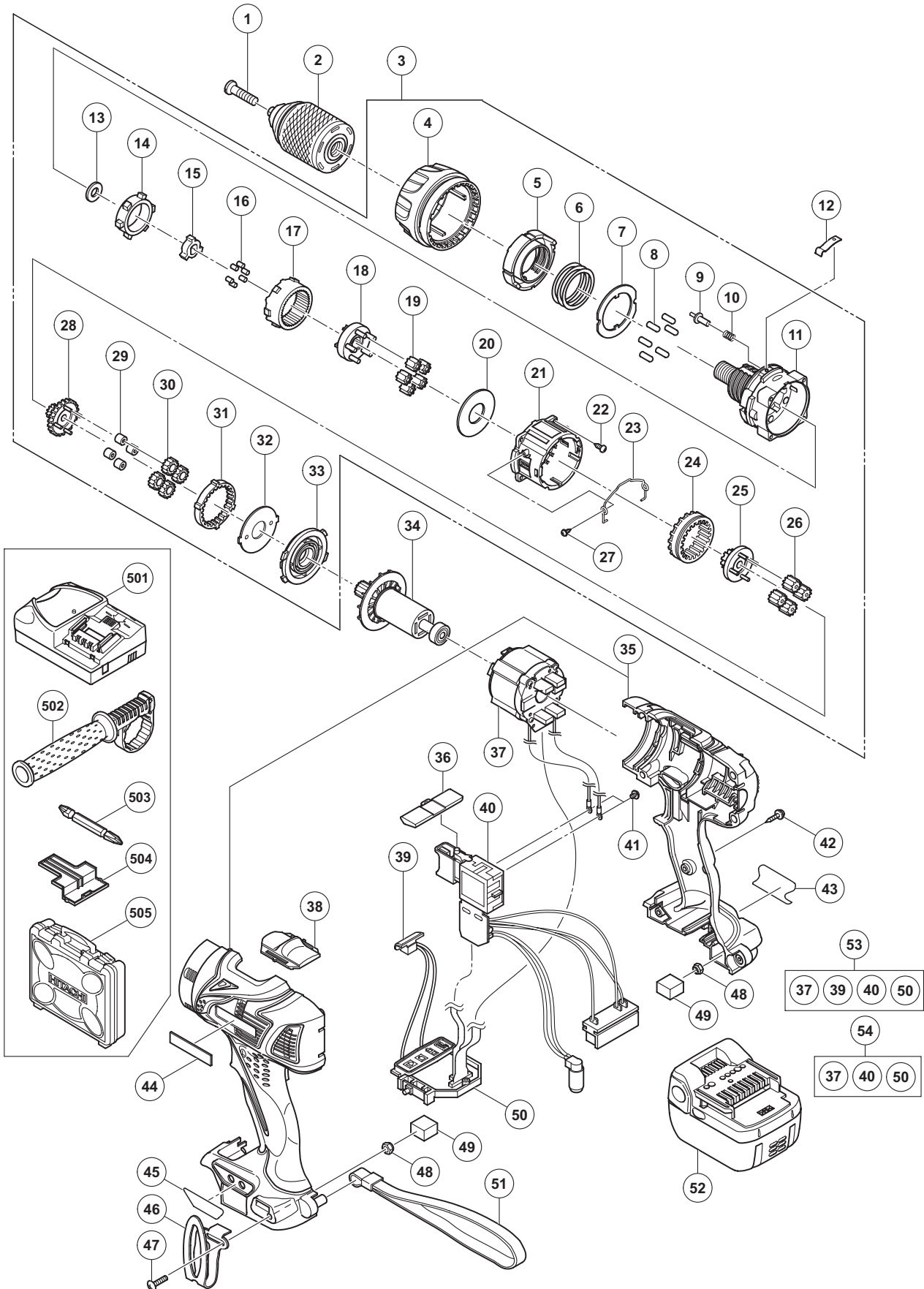
## ELECTRIC TOOL PARTS LIST

### CORDLESS DRIVER DRILL

2009·9·24

### Model DS 14DBL

(E1)



**PARTS**

DS 14DBL

ITEM NO.	CODE NO.	DESCRIPTION	NO. USED	REMARKS
1	311-959	SPECIAL SCREW (LEFT HAND) M6 X 23	1	
2	331-914	DRILL CHUCK 13VLRN-N (W/O CHUCK WRENCH)	1	
3	331-709	GEAR BOX ASS'Y	1	INCLUD. 4-11, 13-33
4	331-880	FRONT CAP	1	
5	331-881	NUT	1	
6	331-882	SPRING	1	
7	331-883	THRUST WASHER	1	
8	331-884	PIN SET (6 PCS.)	6	
9	331-885	STOPPER	2	
10	331-886	STOPPER SPRING	2	
11	331-887	FRONT CASE	1	
12	331-905	CLICK SPRING	1	
13	331-909	WASHER (A)	1	
14	331-903	LOCK RING (A)	1	
15	331-904	LOCK CAM	1	
16	331-888	NEEDLE ROLLER SET (6PCS.)	6	
17	331-889	RING GEAR	1	
18	331-890	CARRIER	1	
19	331-891	PLANET GEAR (C) SET (5 PCS.)	5	
20	331-892	WASHER (A)	1	
21	331-893	REAR CASE	1	
22	315-817	SCREW SET D3 X 12 (6 PCS.)	4	
23	331-894	SHIFT ARM	1	
24	331-896	SLIDE RING GEAR	1	
25	331-897	PINION (C)	1	
26	331-898	PLANET GEAR (B) SET (4 PCS.)	4	
27	331-895	SCREW SET D2 (2 PCS.)	2	
28	331-899	PINION (B)	1	
29	331-926	NEEDLE BEARING SET (4 PCS.)	4	
30	331-900	PLANET GEAR (A) SET (4 PCS.)	4	
31	331-901	FIRST RING GEAR	1	
32	322-988	WASHER (B)	1	
33	331-902	MOTOR SPACER	1	
34	331-710	ROTOR PINION SET	1	
35	331-718	HOUSING (A). (B) SET	1	
36	331-907	PUSHING BUTTON	1	
37	340-766	STATOR FET PCB	1	
38	331-908	SHIFT KNOB	1	
* 39	331-956	LED HOLDER	1	FOR USA, CAN
40	331-715	DC-SPEED CONTROL SWITCH	1	
41	994-532	MACHINE SCREW (W/SP. WASHER) M3 X 5	2	
42	313-687	TAPPING SCREW (W/FLANGE) D3 X 16 (BLACK)	9	
43		NAME PLATE	1	
44	329-648	HITACHI PLATE	1	
45	330-662	PANEL SHEET (B)	1	
46	331-277	HOOK (A)	1	
47	327-001	TRUSS HD. SCREW M4 (BLACK)	1	
48	327-002	LOCK NUT M4 (BLACK)	2	
49	330-854	PACKING	1	
* 50	331-722	CONTROLLER	1	

**PARTS**

ITEM NO.	CODE NO.	DESCRIPTION	NO. USED	REMARKS		
*	50	331-723	CONTROLLER (USA)	1		
	51	306-952	STRAP (BLACK)	1		
*	52	329-083	BATTERY BSL 1430 (EUROPE, AUS, NZL)	2		
*	52	329-901	BATTERY BSL 1430 (USA, CAN)	2		
*	53	331-721	WIRING ASS'Y	1	INCLUD. 37, 39, 40, 50 FOR USA, CAN	
*	54	331-720	WIRING ASS'Y	1	INCLUD. 37, 40, 50 EXCEPT FOR USA, CAN	

**STANDARD ACCESSORIES**

ITEM NO.	CODE NO.	DESCRIPTION	NO. USED	REMARKS		
	501		CHARGER (MODEL UC 18YRSL)	1		
	502	331-906	SIDE HANDLE	1		
	503	983-006	+ DRIVER BIT NO.2 65L	1		
	504	329-897	BATTERY COVER	1		
	505	323-230	CASE	1		